

## CONTENTS

AM-UHF1/4/GSM/UMTS/GPS	164
AM-GSM/UMTS/GPS	165
AM-GSM3.5G/GPS	166
AM-VHF1/4/GSM/UMTS/GPS	167
AM-VHF1/4/GPS	168
AM-VHF5/8/GPS	169
AM-UHF1/4/GPS	170
AM-UHF5/8/GPS	171
AM-UHF4G/GPS	172
AM-AM/FM/GPS	173
AM-UHF1/4/GSM/UMTS/GPS/W-LAN/WIFI	174
AM-GSM/UMTS/GPS/W-LAN/WIFI	175
AM-GSM3G/GPS/W-LAN/WIFI	176
AM-GSM3.5G/UMTS/GPS/W-LAN/WIFI	177
AM-VHF1/4/GSM/UMTS/GPS magnetic mount	178
AM-VHF1/4/GPS magnetic mount	179
AM-VHF5/8/GPS magnetic mount	180
AM-UHF1/4/GSM/UMTS/GPS magnetic mount	181
AM-UHF1/4/GPS magnetic mount	182
AM-UHF5/8/GPS magnetic mount	183
AM-UHF4G/GPS magnetic mount	184
AM-GSM3.5G/GPS magnetic mount	185
AM-GSM/GPS magnetic mount	186
AM-NMO/GPS magnetic mount	187
AM-GPS magnetic mount	188
AM-GPS double gluing tape	189
AM-DVB-T/GPS magnetic mount	190

# AM-UHF1/4/GSM/UMTS/GPS

## Multiband Mobile Antenna

This multiband mobile antenna is designed to integrate multiple radio frequencies into one antenna that only requires a single hole for mounting. Internally the product is coupled with an active GPS module. The 1/4 wave radiator provides 0 dBd gain on the UHF band.

The bands are provided with 15-20-25-cm-long cables of the RG 58 / RG174 type and can terminate on any connector.



## specifications

### MECHANICAL

<b>Weight</b>	250 g ± 20 g
<b>Material</b>	Polyamide
<b>Color</b>	Black
<b>Mounting</b>	15 x 15 mm square hole or 20 mm dia round hole
<b>Operating Temp.</b>	-30 to +80°C

### ORDERING DESIGNATIONS

When ordering, please, specify frequency for the UHF band and types of connectors for all UHF, GSM/UMTS and GPS bands.

ELECTRICAL	UHF1/4	GSM/UMTS	GPS
<b>Frequency Range</b>	380-470 MHz	860-960 MHz 1710-2170 MHz	1575.42 MHz
<b>SWR</b>	< 1.5	< 1.5	< 1.5
<b>Gain</b>	0 dBd /2.15 dBi/	0 dBd /2.15 dBi/	24 dBi at 2.7V 26 dBi at 5V
<b>Impedance</b>	50 Ω	50 Ω	50 Ω
<b>Max Power</b>	20 W	10 W	-
<b>Polarization</b>	vertical	vertical	RHCP
<b>Supply Voltage</b>	-	-	2.7-5 V
<b>Consumption</b>	-	-	12 mA at 2.7V 26 mA at 5V
<b>Noise Figure</b>	-	-	1.7-2.1 dB
<b>Cable &amp; Connector</b>	15 cm RG 58 / any	20 cm RG 174 / any	25 cm RG 174 / any

# AM-GSM/UMTS/GPS

## Multiband Mobile Antenna

This multiband mobile antenna is designed to integrate the GSM/UMTS radio frequencies with a GPS active module into one antenna that only requires a single hole for mounting.

The bands are provided with 20-25-cm-long cables of the RG174 type and can terminate on any connector.



## specifications

### MECHANICAL

<b>Weight</b>	150 g ± 10 g
<b>Material</b>	Stainless steel Polyamide
<b>Color</b>	Black
<b>Mounting</b>	15 x 15 mm square hole or 20 mm dia round hole
<b>Operating Temp.</b>	-30 to +80°C

### ORDERING DESIGNATIONS

When ordering, please, specify connectors for both GSM/UMTS and GPS bands.

ELECTRICAL	GSM/UMTS	GPS
<b>Frequency Range</b>	860-960 MHz 1710-2170 MHz	1575.42 MHz
<b>SWR</b>	< 1.5	< 1.5
<b>Gain</b>	0 dBd /2.15 dBi/	24 dBi at 2.7V 26 dBi at 5V
<b>Impedance</b>	50 Ω	50 Ω
<b>Max Power</b>	10 W	-
<b>Polarization</b>	vertical	RHCP
<b>Supply Voltage</b>	-	2.7-5 V
<b>Consumption</b>	-	12 mA at 2.7V 26 mA at 5V
<b>Noise Figure</b>	-	1.7-2.1 dB
<b>Cable &amp; Connector</b>	20 cm RG 174 / any	25 cm RG 174 / any

# AM-GSM3.5G/GPS

## Multiband Mobile Antenna

This dual-band mobile antenna of Inmak's GPS series of antennas is designed to allow for higher gain in the GSM radio frequency. Internally the product is coupled with an active GPS module. The antenna requires a single hole for mounting.

The two bands are provided with 20-25-cm-long cables of the RG 174 type and can terminate on any connector.



## specifications

### MECHANICAL

<b>Weight</b>	180 g ± 10 g
<b>Material</b>	Stainless steel Polyamide
<b>Color</b>	Black
<b>Mounting</b>	15 x 15 mm square hole or 20 mm dia round hole
<b>Operating Temp.</b>	-30 to +80°C

### ORDERING DESIGNATIONS

When ordering, please, specify connectors for both GSM3.5G and GPS bands.

ELECTRICAL	GSM	GPS
<b>Frequency Range</b>	860-960 MHz	1575.42 MHz
<b>SWR</b>	< 1.5	< 1.5
<b>Gain</b>	0 dBd /2.15 dBi/	24 dBi at 2.7V 26 dBi at 5V
<b>Impedance</b>	50 Ω	50 Ω
<b>Max Power</b>	10 W	-
<b>Polarization</b>	vertical	RHCP
<b>Supply Voltage</b>	-	2.7-5 V
<b>Consumption</b>	-	12 mA at 2.7V 26 mA at 5V
<b>Noise Figure</b>	-	1.7-2.1 dB
<b>Cable &amp; Connector</b>	20 cm RG 174 / any	25 cm RG 174 / any

# AM-VHF1/4/GSM/UMTS/GPS

## Multiband Mobile Antenna

This multiband mobile antenna is designed to integrate multiple radio frequencies into one antenna that only requires a single hole for mounting. Internally the product is coupled with an active GPS module. The 1/4 wave radiator provides 0 dBd gain on the VHF band.

The bands are provided with 15-20-25-cm-long cables of the RG 58 / RG 174 type and can terminate on any connector.



## specifications

### MECHANICAL

<b>Weight</b>	250 g ± 20 g
<b>Material</b>	Polyamide
<b>Color</b>	Black
<b>Mounting</b>	15 x 15 mm square hole or 20 mm dia round hole
<b>Operating Temp.</b>	-30 to +80°C

### ORDERING DESIGNATIONS

When ordering, please, specify frequency for the UHF band and types of connectors for all UHF, GSM/UMTS and GPS bands.

ELECTRICAL	VHF1/4	GSM/UMTS	GPS
<b>Frequency Range</b>	134-174 MHz	860-960 MHz 1710-2170 MHz	1575.42 MHz
<b>SWR</b>	< 1.5	< 1.5	< 1.5
<b>Gain</b>	0 dBd /2.15 dBi/	0 dBd /2.15 dBi/	24 dBi at 2.7V 26 dBi at 5V
<b>Impedance</b>	50 Ω	50 Ω	50 Ω
<b>Max Power</b>	20 W	10 W	-
<b>Polarization</b>	vertical	vertical	RHCP
<b>Supply Voltage</b>	-	-	2.7-5 V
<b>Consumption</b>	-	-	12 mA at 2.7V 26 mA at 5V
<b>Noise Figure</b>	-	-	1.7-2.1 dB
<b>Cable &amp; Connector</b>	15 cm RG 58 / any	20 cm RG 174 / any	25 cm RG 174 / any

# AM-VHF1/4/GPS

Dual-band Mobile Antenna - VHF1/4+GPS

This dual-band mobile antenna of Inmak's GPS series of antennas is supplied with 0 dBd gain radiator of conical black-chromed stainless steel. Internally the product is coupled with an active GPS module. The antenna requires a single hole for mounting.

The two bands are provided with 20-25-cm-long cables of the RG 58 / RG 174 type and can terminate on any connector.



## specifications

### MECHANICAL

<b>Weight</b>	220 g ± 30 g
<b>Material</b>	Radiator: stainless steel Base: polyamide
<b>Color</b>	Black
<b>Mounting</b>	15 x 15 mm square hole or 20 mm dia round hole
<b>Operating Temp.</b>	-30 to +80°C

### ORDERING DESIGNATIONS

When ordering, please, specify frequency for the VHF band and types of connectors for both VHF and GPS bands.

ELECTRICAL	VHF 1/4	GPS
<b>Frequency Range</b>	130-235 MHz	1575.42 MHz
<b>SWR</b>	<1.5	< 1.5
<b>Gain</b>	0 dBd /2.15 dBi/	24 dBi at 2.7V / 26 dBi at 5V
<b>Impedance</b>	50 Ω	50 Ω
<b>Max Power</b>	20 W	-
<b>Polarization</b>	vertical	RHCP
<b>Supply Voltage</b>		2.7-5 V
<b>Consumption</b>		12 mA at 2.7V / 26 mA at 5V
<b>Noise Figure</b>		1.7-2.1 dB
<b>Cable / Connector</b>	20 cm RG 58 / any	25 cm RG 174 / any

# AM-VHF5/8/GPS

Dual-band Mobile Antenna - VHF5/8+GPS

This dual-band mobile antenna of Inmak's GPS series of antennas is designed to allow for higher gain in the VHF radio frequency. Internally the product is coupled with an active GPS module. The antenna requires a single hole for mounting.

The two bands are provided with 20-25-cm-long cables of the RG 58 / RG 174 type and can terminate on any connector.



## specifications

### MECHANICAL

<b>Weight</b>	220 g ± 30 g
<b>Material</b>	Radiator: stainless steel Base: polyamide
<b>Color</b>	Black
<b>Mounting</b>	15 x 15 mm square hole or 20 mm dia round hole
<b>Operating Temp.</b>	-30 to +80°C

### ORDERING DESIGNATIONS

When ordering, please, specify frequency for the VHF band and types of connectors for both VHF and GPS bands.

ELECTRICAL	VHF 5/8	GPS
<b>Frequency Range</b>	130-235 MHz	1575.42 MHz
<b>SWR</b>	<1.5	< 1.5
<b>Gain</b>	3 dBd /5.15 dBi/	24 dBi at 2.7V / 26 dBi at 5V
<b>Impedance</b>	50 Ω	50 Ω
<b>Max Power</b>	20 W	-
<b>Polarization</b>	vertical	RHCP
<b>Supply Voltage</b>		2.7-5 V
<b>Consumption</b>		12 mA at 2.7V / 26 mA at 5V
<b>Noise Figure</b>		1.7-2.1 dB
<b>Cable / Connector</b>	20 cm RG 58 / any	25 cm RG 174 / any

# AM-UHF1/4/GPS

*Dual-band Mobile Antenna - UHF1/4+GPS*

This dual-band mobile antenna of Inmak's GPS series of antennas is designed to allow for higher gain in the UHF radio frequency. Internally the product is coupled with an active GPS module. The antenna requires a single hole for mounting.

The two bands are provided with 20 / 25 -cm-long cables of the RG 58 / RG174 type and can terminate on any connector.



## specifications

### MECHANICAL

<b>Weight</b>	220 g ± 30 g
<b>Material</b>	Radiator: stainless steel Base: polyamide
<b>Color</b>	Black
<b>Mounting</b>	15 x 15 mm square hole or 20 mm dia round hole
<b>Operating Temp.</b>	-30 to +80°C

### ORDERING DESIGNATIONS

When ordering, please, specify frequency for the UHF band and types of connectors for both UHF and GPS bands.

ELECTRICAL	TETRA /UHF/	GPS
<b>Frequency Range</b>	380-430 MHz	1575.42 MHz
<b>SWR</b>	< 1.5	< 1.5
<b>Gain</b>	0 dBd /2.15 dBi/	24 dBi at 2.7V / 26 dBi at 5V
<b>Impedance</b>	50 Ω	50 Ω
<b>Max Power</b>	20 W	-
<b>Polarization</b>	vertical	RHCP
<b>Supply Voltage</b>	-	2.7-5 V
<b>Consumption</b>	-	12 mA at 2.7V / 26 mA at 5V
<b>Noise Figure</b>	-	1.7-2.1 dB
<b>Cable / Connector</b>	20 cm RG 58 / any	25 cm RG174 / any



# AM-UHF5/8/GPS

Dual-band Mobile Antenna - UHF5/8+GPS

This dual-band mobile antenna of Inmak's GPS series of antennas is designed to allow for higher gain in the UHF radio frequency. Internally the product is coupled with an active GPS module. The antenna requires a single hole for mounting.

The two bands are provided with 20 / 25-cm-long cables of the RG 58 / RG 174 type and can terminate on any connector.



## specifications

### MECHANICAL

<b>Weight</b>	220 g ± 30 g
<b>Material</b>	Radiator: stainless steel Base: polyamide
<b>Color</b>	Black
<b>Mounting</b>	15 x 15 mm square hole or 20 mm dia round hole
<b>Operating Temp.</b>	-30 to +80°C

### ORDERING DESIGNATIONS

When ordering, please, specify frequency for the UHF band and types of connectors for both UHF and GPS bands.

ELECTRICAL	TETRA /UHF/	GPS
<b>Frequency Range</b>	380-430 MHz	1575.42 MHz
<b>SWR</b>	< 1.5	< 1.5
<b>Gain</b>	3 dBd /5.15 dBi/	24 dBi at 2.7V / 26 dBi at 5V
<b>Impedance</b>	50 Ω	50 Ω
<b>Max Power</b>	20 W	-
<b>Polarization</b>	vertical	RHCP
<b>Supply Voltage</b>	-	2.7-5 V
<b>Consumption</b>	-	12 mA at 2.7V / 26 mA at 5V
<b>Noise Figure</b>	-	1.7-2.1 dB
<b>Cable / Connector</b>	20 cm RG 58 / any	25 cm RG 174 / any

# AM-UHF4G/GPS

*Dual-band Mobile Antenna - UHF4G+GPS*

This dual-band mobile antenna of Inmak's GPS series of antennas is designed to allow for higher gain in the UHF radio frequency. Internally the product is coupled with an active GPS module. The antenna requires a single hole for mounting.

The two bands are provided with 20 / 25 -cm-long cables of the RG 58 / RG 174 type and can terminate on any connector.



## specifications

### MECHANICAL

<b>Weight</b>	220 g ± 30 g
<b>Material</b>	Radiator: stainless steel Base: polyamide
<b>Color</b>	Black
<b>Mounting</b>	15 x 15 mm square hole or 20 mm dia round hole
<b>Operating Temp.</b>	-30 to +80°C

### ORDERING DESIGNATIONS

When ordering, please, specify frequency for the UHF band and types of connectors for both UHF and GPS bands.

ELECTRICAL	TETRA /UHF/	GPS
<b>Frequency Range</b>	380-430 MHz	1575.42 MHz
<b>SWR</b>	< 1.5	< 1.5
<b>Gain</b>	4 dBd /6.15 dBi/	24 dBi at 2.7V / 26 dBi at 5V
<b>Impedance</b>	50 Ω	50 Ω
<b>Max Power</b>	20 W	-
<b>Polarization</b>	vertical	RHCP
<b>Supply Voltage</b>	-	2.7-5 V
<b>Consumption</b>	-	12 mA at 2.7V / 26 mA at 5V
<b>Noise Figure</b>	-	1.7-2.1 dB
<b>Cable / Connector</b>	20 cm RG 58 / any	25 cm RG 174 / any

# AM-AM/FM/GPS

Multi-band Mobile antenna - AM/FM + GPS

This multiband mobile antenna is designed to integrate multiple radio frequencies into one antenna that only requires a single hole for mounting. Internally the product is coupled with an active GPS module. The bands are provided with 20 / 25 -cm-long cables of the RG 174 type and can terminate on any connector.



## specifications

### MECHANICAL

<b>Weight</b>	220 g ± 30 g
<b>Material</b>	Radiator: stainless steel Base: polyamide
<b>Color</b>	Black
<b>Mounting</b>	15 x 15 mm square hole or 20 mm dia round hole
<b>Operating Temp.</b>	-30 to +80°C

### ORDERING DESIGNATIONS

When ordering, please, specify types of connectors for both AM/FM and GPS bands.

ELECTRICAL	AM/FM	GPS
<b>Frequency Range</b>	150 KHz 88-108 MHz	1575.42 MHz
<b>SWR</b>	-	< 1.5
<b>Gain</b>	0 dBd /2.15/ dBi	24 dBi at 2.7V / 26 dBi at 5V
<b>Impedance</b>	150/75 Ω	50 Ω
<b>Max Power</b>	-	-
<b>Polarization</b>	vertical	RHCP
<b>Supply Voltage</b>	10-16 V	2.7-5 V
<b>Consumption</b>	27-40 mA	12 mA at 2.7V / 26 mA at 5V
<b>Noise Figure</b>	<4.5 dB	1.7-2.1 dB
<b>Cable / Connector</b>	20 cm RG 174 / any	25 cm RG 174 / any

# AM-UHF1/4/GSM/UMTS/GPS/W-LAN/WIFI

## Multiband Mobile Antenna

This multiband mobile antenna is designed to integrate multiple radio frequencies into one antenna that only requires a single hole for mounting. Internally the product is coupled with an active GPS module. The 1/4 wave radiator provides 0 dBd gain on the UHF band.

The bands are provided with 15-20-25-30-cm-long cables of the RG 316 / RG 174 type and can terminate on any connector.



## specifications

### MECHANICAL

<b>Weight</b>	250 g ± 20 g
<b>Material</b>	Polyamide
<b>Color</b>	Black
<b>Mounting</b>	15 x 15 mm square hole or 20 mm dia round hole
<b>Operating Temp.</b>	-30 to +80°C

### ORDERING DESIGNATIONS

When ordering, please, specify frequency for the UHF band and types of connectors for all UHF, GSM/UMTS, GPS and W-LAN/WIFI bands.

ELECTRICAL	UHF1/4	GSM/UMTS	GPS	W-LAN / WIFI
<b>Frequency Range</b>	380-470 MHz	860-960 MHz 1710-2170 MHz	1575.42 MHz	2400-2483 MHz 5725-5850 MHz
<b>SWR</b>	< 1.5	< 1.5	< 1.5	< 1.5
<b>Gain</b>	0 dBd /2.15 dBi/	0 dBd /2.15 dBi/	24 dBi at 2.7V 26 dBi at 5V	0 dBd /2.15 dBi/
<b>Impedance</b>	50 Ω	50 Ω	50 Ω	50 Ω
<b>Max Power</b>	20 W	10 W	-	-
<b>Polarization</b>	vertical	vertical	RHCP	vertical
<b>Supply Voltage</b>	-	-	2.7-5 V	-
<b>Consumption</b>	-	-	12 mA at 2.7V 26 mA at 5V	-
<b>Noise Figure</b>	-	-	1.7-2.1 dB	-
<b>Cable &amp; Connector</b>	15 cm RG 316 / any	25 cm RG 174 / any	30 cm RG 174 / any	20 cm RG 316 / any

# AM-GSM/UMTS/GPS/W-LAN/WIFI

## Multiband Mobile Antenna

This multiband mobile antenna is designed to integrate multiple radio frequencies into one antenna that only requires a single hole for mounting. Internally the product is coupled with an active GPS module. The 1/4 wave radiator provides 0 dB gain on the GSM/UMTS band.

The bands are provided with 20-cm-long cables of the RG 316 / RG174 type and can terminate on any connector.



specifications

### MECHANICAL

<b>Weight</b>	150 g ± 20 g
<b>Material</b>	Polyamide
<b>Color</b>	Black
<b>Mounting</b>	15 x 15 mm square hole or 20 mm dia round hole
<b>Operating Temp.</b>	-30 to +80°C

### ORDERING DESIGNATIONS

When ordering, please, specify frequency for the GSM band and types of connectors for all GSM/UMTS, GPS and W-LAN/WIFI bands.

ELECTRICAL	GSM/UMTS	GPS	W-LAN / WIFI
<b>Frequency Range</b>	860-960 MHz 1710-2170 MHz	1575.42 MHz 1602 MHz	2400-2483 MHz 5725-5850 MHz
<b>SWR</b>	< 1.5	< 1.5	< 1.5
<b>Gain</b>	0 dB /2.15 dBi/	24 dBi at 2.7V 26 dBi at 5V	0 dB /2.15 dBi/
<b>Impedance</b>	50 Ω	50 Ω	50 Ω
<b>Max Power</b>	10 W	-	-
<b>Polarization</b>	vertical	RHCP	vertical
<b>Supply Voltage</b>	-	2.7-5 V	-
<b>Consumption</b>	-	12 mA at 2.7V 26 mA at 5V	-
<b>Noise Figure</b>	-	1.7-2.1 dB	-
<b>Cable &amp; Connector</b>	15 cm RG174 / SMA female	20 cm RG174 / SMA female	25 cm RG316 / SMA female RP

# AM-GSM3G/GPS/W-LAN/WIFI

## Multiband Mobile Antenna

This multiband mobile antenna is designed to integrate multiple radio frequencies into one antenna that only requires a single hole for mounting. Internally the product is coupled with an active GPS module. The **helical** 5/8 wave radiator provides 3 dB gain on the GSM band.

The bands are provided with 20-cm-long cables of the RG 316 / RG174 type and can terminate on any connector.



## specifications

### MECHANICAL

<b>Weight</b>	180 g ± 20 g
<b>Material</b>	Polyamide
<b>Color</b>	Black
<b>Mounting</b>	15 x 15 mm square hole or 20 mm dia round hole
<b>Operating Temp.</b>	-30 to +80°C

### ORDERING DESIGNATIONS

When ordering, please, specify frequency for the GSM band and types of connectors for all GSM/ UMTS, GPS and W-LAN/WIFI bands.

ELECTRICAL	GSM	GPS	W-LAN / WIFI
<b>Frequency Range</b>	868 MHz	1575.42 MHz 1602 MHz	2400-2483 MHz 5725-5850 MHz
<b>SWR</b>	< 1.5	< 1.5	< 1.5
<b>Gain</b>	3 dB /5.15 dBi/	24 dBi at 2.7V 26 dBi at 5V	0 dB /2.15 dBi/
<b>Impedance</b>	50 Ω	50 Ω	50 Ω
<b>Max Power</b>	10 W	-	-
<b>Polarization</b>	vertical	RHCP	vertical
<b>Supply Voltage</b>	-	2.7-5 V	-
<b>Consumption</b>	-	12 mA at 2.7V 26 mA at 5V	-
<b>Noise Figure</b>	-	1.7-2.1 dB	-
<b>Cable &amp; Connector</b>	15 cm RG174 / SMA female	20 cm RG174 / SMA female	25 cm RG316 / SMA female RP

# AM-GSM3.5G/UMTS/GPS/W-LAN/WIFI

## Multiband Mobile Antenna

This multiband mobile antenna is designed to integrate multiple radio frequencies into one antenna that only requires a single hole for mounting. Internally the product is coupled with an active GPS module. The **helical** 5/8 wave radiator provides 3.5 dB gain on the GSM band.

The bands are provided with 20-cm-long cables of the RG 316 / RG 174 type and can terminate on any connector.



## specifications

### MECHANICAL

<b>Weight</b>	180 g ± 20 g
<b>Material</b>	Polyamide
<b>Color</b>	Black
<b>Mounting</b>	15 x 15 mm square hole or 20 mm dia round hole
<b>Operating Temp.</b>	-30 to +80°C

### ORDERING DESIGNATIONS

When ordering, please, specify frequency for the GSM band and types of connectors for all GSM/UMTS, GPS and W-LAN/WIFI bands.

ELECTRICAL	GSM/UMTS	GPS	W-LAN / WIFI
<b>Frequency Range</b>	860-960 MHz 1710-2170 MHz	1575.42 MHz 1602 MHz	2400-2483 MHz 5725-5850 MHz
<b>SWR</b>	< 1.5	< 1.5	< 1.5
<b>Gain</b>	3.5 dBd /5.65 dBi/ 0 dBd /2.15 dBi/	24 dBi at 2.7V 26 dBi at 5V	0 dB /2.15 dBi/
<b>Impedance</b>	50 Ω	50 Ω	50 Ω
<b>Max Power</b>	10 W	-	-
<b>Polarization</b>	vertical	RHCP	vertical
<b>Supply Voltage</b>	-	2.7-5 V	-
<b>Consumption</b>	-	12 mA at 2.7V 26 mA at 5V	-
<b>Noise Figure</b>	-	1.7-2.1 dB	-
<b>Cable &amp; Connector</b>	23 cm RG 174 / FME female	19 cm RG 174 / SMA male	15 cm RG 316 / SMA female

# AM-VHF1/4/GSM/UMTS/GPS magnetic mount

*Dual-band Magnetic Mobile Antenna - VHF1/4+GSM+UMTS+GPS*

This dual-band mobile antenna of Inmak's GPS series of antennas is supplied with a 1/4 wave radiator of conical black-chromed stainless steel. Internally the product is coupled with an active GPS module. The magnetic mounting solution allows for flexibility when choosing an appropriate spot on the vehicle.

The two bands are provided with 5-m-long cables of the RG58 / RG174 type and can terminate on any connector.



## specifications

### MECHANICAL

<b>Weight</b>	380 g ± 30 g
<b>Material</b>	Radiator: stainless steel Base: steel and polyamide
<b>Color</b>	Black
<b>Mounting</b>	Magnetic
<b>Operating Temp.</b>	-30 to +80°C

### ORDERING DESIGNATIONS

When ordering, please, specify frequency for the VHF band and types of connectors for both VHF and GPS bands.

ELECTRICAL	VHF1/4	GSM/UMTS	GPS
<b>Frequency Range</b>	134-174 MHz	860-960 MHz 1710-2170 MHz	1575.42 MHz
<b>SWR</b>	< 1.5	< 1.5	< 1.5
<b>Gain</b>	0 dBd /2.15 dBi/	0 dBd /2.15 dBi/	24 dBi at 2.7V 26 dBi at 5V
<b>Impedance</b>	50 Ω	50 Ω	50 Ω
<b>Max Power</b>	20 W	10 W	-
<b>Polarization</b>	vertical	vertical	RHCP
<b>Supply Voltage</b>	-	-	2.7-5 V
<b>Consumption</b>	-	-	12 mA at 2.7V 26 mA at 5V
<b>Noise Figure</b>	-	-	1.7-2.1 dB
<b>Cable &amp; Connector</b>	5 m RG58 / any	5 m RG174 / any	5 m RG174 / any

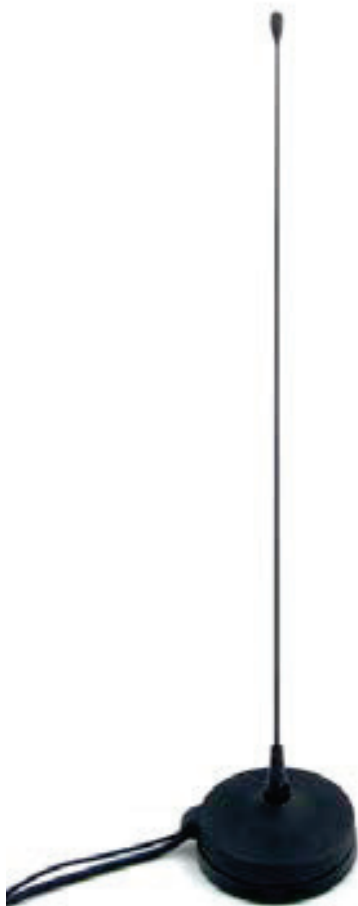


# AM-VHF1/4/GPS magnetic mount

Dual-band Magnetic Mobile Antenna - VHF1/4+GPS

This dual-band mobile antenna of Inmak's GPS series of antennas is supplied with a 1/4 wave radiator of conical black-chromed stainless steel. Internally the product is coupled with an active GPS module. The magnetic mounting solution allows for flexibility when choosing an appropriate spot on the vehicle.

The two bands are provided with 5-m-long cables of the RG58 / RG174 type and can terminate on any connector.



## specifications

### MECHANICAL

<b>Weight</b>	350 g ± 30 g
<b>Material</b>	Radiator: stainless steel Base: steel and polyamide
<b>Color</b>	Black
<b>Mounting</b>	Magnetic
<b>Operating Temp.</b>	-30 to +80°C

### ORDERING DESIGNATIONS

When ordering, please, specify frequency for the VHF band and types of connectors for both VHF and GPS bands.

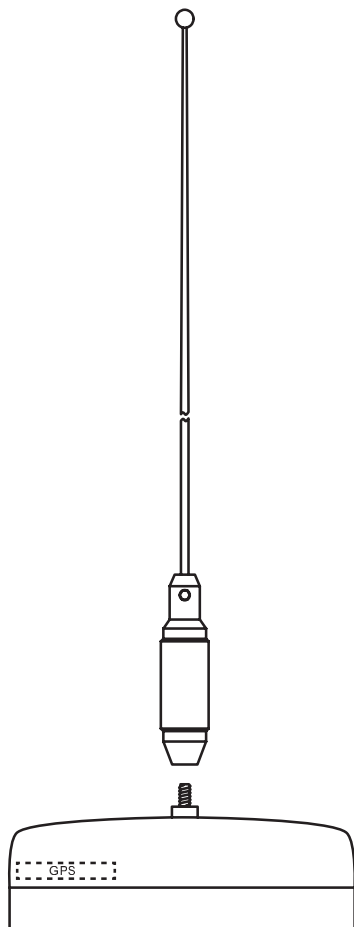
ELECTRICAL	VHF	GPS
<b>Frequency Range</b>	130-235 MHz	1575.42 MHz
<b>SWR</b>	<1.5	< 1.5
<b>Gain</b>	0 dBd /2.15 dBi/	24 dBi at 2.7V / 26 dBi at 5V
<b>Impedance</b>	50 Ω	50 Ω
<b>Max Power</b>	20 W	-
<b>Polarization</b>	vertical	RHCP
<b>Supply Voltage</b>		2.7-5 V
<b>Consumption</b>		12 mA at 2.7V / 26 mA at 5V
<b>Noise Figure</b>		1.7-2.1 dB
<b>Cable / Connector</b>	5 m RG58 / any	5 m RG174 / any

# AM-VHF5/8/GPS magnetic mount

*Dual-band Magnetic Mobile Antenna - VHF5/8+GPS*

This dual-band mobile antenna of Inmak's GPS series of antennas is supplied with a high-performance radiator to allow for higher gain in the VHF radio frequency. An encapsulated coil and a conical black-chromed stainless steel whip are used when designing the radiator. Internally the product is coupled with an active GPS module. The magnetic mounting solution allows for flexibility when choosing an appropriate spot on the vehicle.

The two bands are provided with 5-m-long cables of the RG58 / RG174 type and can terminate on any connector.



## specifications

### MECHANICAL

<b>Weight</b>	400 g ± 30 g
<b>Material</b>	Radiator: stainless steel Base: steel and polyamide
<b>Color</b>	Black
<b>Mounting</b>	Magnetic
<b>Operating Temp.</b>	-30 to +80°C

### ORDERING DESIGNATIONS

When ordering, please, specify frequency for the VHF band and types of connectors for both VHF and GPS bands.

ELECTRICAL	VHF	GPS
<b>Frequency Range</b>	130-235 MHz	1575.42 MHz
<b>SWR</b>	<1.5	< 1.5
<b>Gain</b>	3 dBd / 5.15 dBi/	24 dBi at 2.7V / 26 dBi at 5V
<b>Impedance</b>	50 Ω	50 Ω
<b>Max Power</b>	20 W	-
<b>Polarization</b>	vertical	RHCP
<b>Supply Voltage</b>		2.7-5 V
<b>Consumption</b>		12 mA at 2.7V / 26 mA at 5V
<b>Noise Figure</b>		1.7-2.1 dB
<b>Cable / Connector</b>	5 m RG58 / any	5 m RG174 / any

# AM-UHF1/4/GSM/UMTS/GPS magnetic mount

Dual-band Magnetic Mobile Antenna - UHF1/4+GSM+UMTS+GPS

This dual-band mobile antenna of Inmak's GPS series of antennas is supplied with a 1/4 wave radiator of conical black-chromed stainless steel. Internally the product is coupled with an active GPS module. The magnetic mounting solution allows for flexibility when choosing an appropriate spot on the vehicle.

The two bands are provided with 5-m-long cables of the RG58 / RG174 type and can terminate on any connector.



## specifications

### MECHANICAL

<b>Weight</b>	380 g ± 30 g
<b>Material</b>	Radiator: stainless steel Base: steel and polyamide
<b>Color</b>	Black
<b>Mounting</b>	Magnetic
<b>Operating Temp.</b>	-30 to +80°C

### ORDERING DESIGNATIONS

When ordering, please, specify frequency for the UHF band and types of connectors for both UHF and GPS bands.

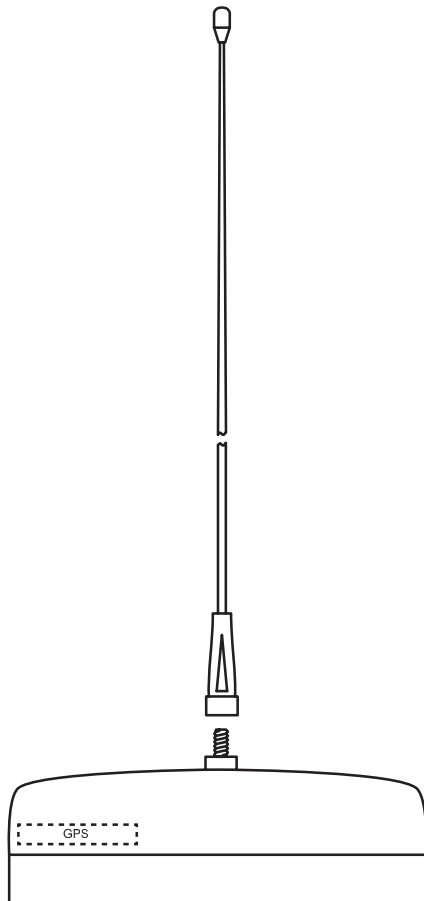
ELECTRICAL	UHF1/4	GSM/UMTS	GPS
<b>Frequency Range</b>	380-470 MHz	860-960 MHz 1710-2170 MHz	1575.42 MHz
<b>SWR</b>	< 1.5	< 1.5	< 1.5
<b>Gain</b>	0 dBd /2.15 dBi/	0 dBd /2.15 dBi/	24 dBi at 2.7V 26 dBi at 5V
<b>Impedance</b>	50 Ω	50 Ω	50 Ω
<b>Max Power</b>	20 W	10 W	-
<b>Polarization</b>	vertical	vertical	RHCP
<b>Supply Voltage</b>	-	-	2.7-5 V
<b>Consumption</b>	-	-	12 mA at 2.7V 26 mA at 5V
<b>Noise Figure</b>	-	-	1.7-2.1 dB
<b>Cable / Connector</b>	5 m RG58 / any	5 m RG174 / any	5 m RG174 / any

# AM-UHF1/4/GPS magnetic mount

*Dual-band Magnetic Mobile Antenna - UHF1/4+GPS*

This dual-band mobile antenna of Inmak's GPS series of antennas is supplied with a 1/4 wave radiator of conical black-chromed stainless steel. Internally the product is coupled with an active GPS module. The magnetic mounting solution allows for flexibility when choosing an appropriate spot on the vehicle.

The two bands are provided with 5-m-long cables of the RG58 / RG174 type and can terminate on any connector.



## specifications

### MECHANICAL

<b>Weight</b>	350 g ± 30 g
<b>Material</b>	Radiator: stainless steel Base: steel and polyamide
<b>Color</b>	Black
<b>Mounting</b>	Magnetic
<b>Operating Temp.</b>	-30 to +80°C

### ORDERING DESIGNATIONS

When ordering, please, specify frequency for the UHF band and types of connectors for both UHF and GPS bands.

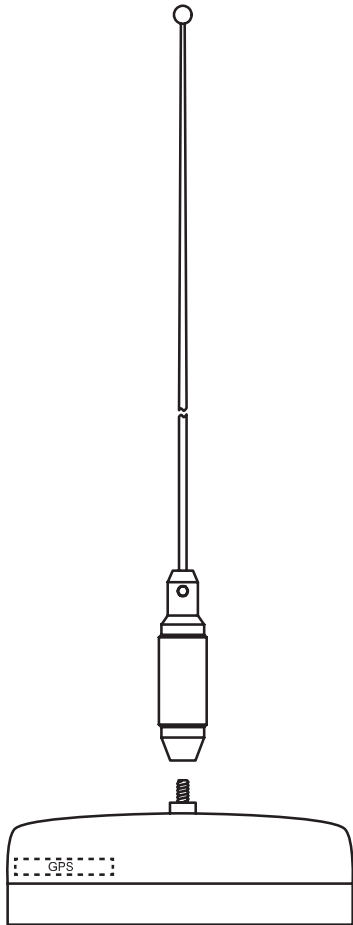
ELECTRICAL	TETRA /UHF/	GPS
<b>Frequency Range</b>	380-430 MHz	1575.42 MHz
<b>SWR</b>	< 1.5	< 1.5
<b>Gain</b>	0 dBd /2.15 dBi/	24 dBi at 2.7V / 26 dBi at 5V
<b>Impedance</b>	50 Ω	50 Ω
<b>Max Power</b>	20 W	-
<b>Polarization</b>	vertical	RHCP
<b>Supply Voltage</b>	-	2.7-5 V
<b>Consumption</b>	-	12 mA at 2.7V / 26 mA at 5V
<b>Noise Figure</b>	-	1.7-2.1 dB
<b>Cable / Connector</b>	5 m RG58 / any	5 m RG174 / any

# AM-UHF5/8/GPS magnetic mount

Dual-band Magnetic Mobile Antenna - UHF5/8+GPS

This dual-band mobile antenna of Inmak's GPS series of antennas is supplied with a high-performance radiator to allow for higher gain in the UHF radio frequency. An encapsulated coil and a conical black-chromed stainless steel whip are used when designing the radiator. Internally the product is coupled with an active GPS module. The magnetic mounting solution allows for flexibility when choosing an appropriate spot on the vehicle.

The two bands are provided with 5-m-long cables of the RG58 / RG174 type and can terminate on any connector.



## specifications

### MECHANICAL

<b>Weight</b>	400 g ± 30 g
<b>Material</b>	Radiator: stainless steel Base: steel and polyamide
<b>Color</b>	Black
<b>Mounting</b>	Magnetic
<b>Operating Temp.</b>	-30 to +80°C

### ORDERING DESIGNATIONS

When ordering, please, specify frequency for the UHF band and types of connectors for both UHF and GPS bands.

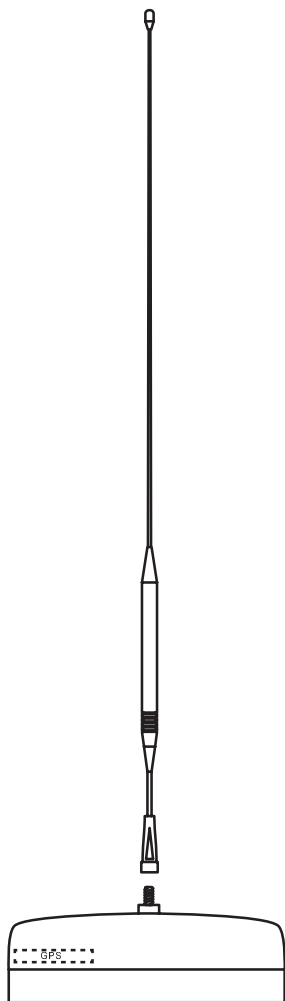
ELECTRICAL	TETRA /UHF/	GPS
<b>Frequency Range</b>	380-430 MHz	1575.42 MHz
<b>SWR</b>	< 1.5	< 1.5
<b>Gain</b>	3 dBd /5.15 dBi/	24 dBi at 2.7V / 26 dBi at 5V
<b>Impedance</b>	50 Ω	50 Ω
<b>Max Power</b>	20 W	-
<b>Polarization</b>	vertical	RHCP
<b>Supply Voltage</b>	-	2.7-5 V
<b>Consumption</b>	-	12 mA at 2.7V / 26 mA at 5V
<b>Noise Figure</b>	-	1.7-2.1 dB
<b>Cable / Connector</b>	5 m RG58 / any	5 m RG174 / any

# AM-UHF4G/GPS magnetic mount

*Dual-band Magnetic Mobile Antenna - UHF4G+GPS*

This dual-band mobile antenna of Inmak's GPS series of antennas is supplied with a 4 dBd gain radiator of conical black-chromed stainless steel. Internally the product is coupled with an active GPS module. The magnetic mounting solution allows for flexibility when choosing an appropriate spot on the vehicle.

The two bands are provided with 5-m-long cables of the RG58 / RG174 type and can terminate on any connector.



## specifications

### MECHANICAL

<b>Weight</b>	350 g ± 30 g
<b>Material</b>	Radiator: stainless steel Base: steel and polyamide
<b>Color</b>	Black
<b>Mounting</b>	Magnetic
<b>Operating Temp.</b>	-30 to +80°C

### ORDERING DESIGNATIONS

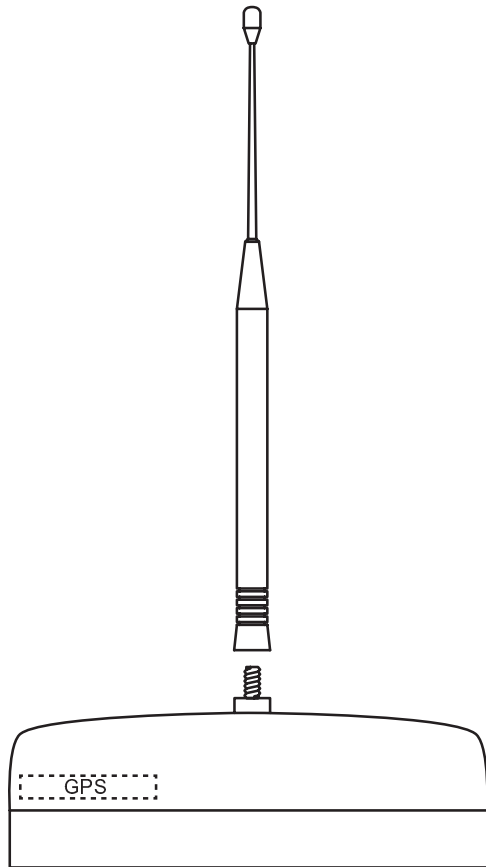
When ordering, please, specify frequency for the UHF band and types of connectors for both UHF and GPS bands.

ELECTRICAL	TETRA /UHF/	GPS
<b>Frequency Range</b>	380-430 MHz	1575.42 MHz
<b>SWR</b>	< 1.5	< 1.5
<b>Gain</b>	4 dBd /6.15 dBi/	24 dBi at 2.7V / 26 dBi at 5V
<b>Impedance</b>	50 Ω	50 Ω
<b>Max Power</b>	20 W	-
<b>Polarization</b>	vertical	RHCP
<b>Supply Voltage</b>	-	2.7-5 V
<b>Consumption</b>	-	12 mA at 2.7V / 26 mA at 5V
<b>Noise Figure</b>	-	1.7-2.1 dB
<b>Cable / Connector</b>	5 m RG58 / any	5 m RG174 / any

# AM-GSM3.5G/GPS magnetic mount

Dual-band Magnetic Mobile Antenna - GSM+GPS

This dual-band mobile antenna of Inmak's GPS series of antennas is supplied with a 3.5 dBd gain radiator of conical black-chromed stainless steel and encapsulated coil. Internally the product is coupled with an active GPS module. The magnetic mounting solution allows for flexibility when choosing an appropriate spot on the vehicle. The two bands are provided with 5-m-long cables of the RG58 / RG174 type and can terminate on any connector.



## specifications

### MECHANICAL

<b>Weight</b>	280 g ± 20 g
<b>Material</b>	Radiator: stainless steel Base: steel and polyamide
<b>Color</b>	Black
<b>Mounting</b>	Magnetic
<b>Operating Temp.</b>	-30 to +80°C

### ORDERING DESIGNATIONS

When ordering, please, specify the connectors for both GSM and GPS bands.

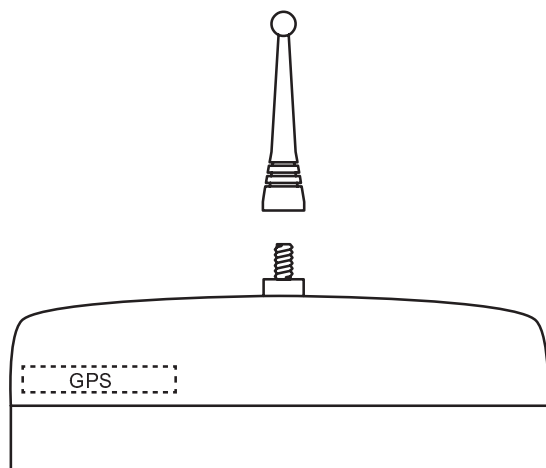
ELECTRICAL	GSM	GPS
<b>Frequency Range</b>	860-960 MHz	1575.42 MHz
<b>SWR</b>	< 1.5	< 1.5
<b>Gain</b>	3.5 dBd / 5.65 dBi /	24 dBi at 2.7V / 26 dBi at 5V
<b>Impedance</b>	50 Ω	50 Ω
<b>Max Power</b>	10 W	-
<b>Polarization</b>	vertical	RHCP
<b>Supply Voltage</b>	-	2.7-5 V
<b>Consumption</b>	-	12 mA at 2.7V / 26 mA at 5V
<b>Noise Figure</b>	-	1.7-2.1 dB
<b>Cable / Connector</b>	5 m RG174 / any	5 m RG174 / any

# AM-GSM/GPS magnetic mount

*Dual-band Magnetic Mobile Antenna - GSM+GPS*

This dual-band mobile antenna of Inmak's GPS series of antennas is supplied with a 0 dBd gain radiator of conical black-chromed stainless steel. Internally the product is coupled with an active GPS module. The magnetic mounting solution allows for flexibility when choosing an appropriate spot on the vehicle.

The two bands are provided with 5-m-long cables of the RG58 / RG174 type and can terminate on any connector.



## specifications

### MECHANICAL

<b>Weight</b>	270 g ± 20 g
<b>Material</b>	Radiator: stainless steel Base: steel and polyamide
<b>Color</b>	Black
<b>Mounting</b>	Magnetic
<b>Operating Temp.</b>	-30 to +80°C

### ORDERING DESIGNATIONS

When ordering, please, specify the connectors for both GSM and GPS bands.

ELECTRICAL	GSM	GPS
<b>Frequency Range</b>	860-960 MHz	1575.42 MHz
<b>SWR</b>	< 1.5	< 1.5
<b>Gain</b>	0 dBd / 2.15 dBi/	24 dBi at 2.7V / 26 dBi at 5V
<b>Impedance</b>	50 Ω	50 Ω
<b>Max Power</b>	10 W	-
<b>Polarization</b>	vertical	RHCP
<b>Supply Voltage</b>	-	2.7-5 V
<b>Consumption</b>	-	12 mA at 2.7V / 26 mA at 5V
<b>Noise Figure</b>	-	1.7-2.1 dB
<b>Cable / Connector</b>	5 m RG174 / any	5 m RG174 / any



# AM-NMO/GPS magnetic mount

Dual-band Magnetic Mobile Antenna - NMO+GPS

This dual-band mobile antenna of Inmak's GPS series of antennas is supplied with a magnetic NMO mounts. Internally the product is coupled with an active GPS module. The magnetic mounting solution allows for flexibility when choosing an appropriate spot on the vehicle.

The two bands are provided with 5-m-long cables of the RG58 / RG174 type and can terminate on any connector.



## specifications

### MECHANICAL

<b>Weight</b>	870 g ± 20 g
<b>Material</b>	Radiator: Base: steel and polyamide
<b>Color</b>	Black
<b>Mounting</b>	Magnetic
<b>Operating Temp.</b>	-30 to +80°C

### ORDERING DESIGNATIONS

When ordering, please, specify the type of wips and connectors for both NMO and GPS bands.

ELECTRICAL	VHF 1/4	GPS
<b>Frequency Range</b>	136-174 MHz	1575.42 MHz
<b>SWR</b>	<1.5	< 1.5
<b>Gain</b>	0 dB /2.15 dBi/	24 dBi at 2.7V / 26 dBi at 5V
<b>Impedance</b>	50 Ω	50 Ω
<b>Max Power</b>	20 W	-
<b>Polarization</b>	vertical	RHCP
<b>Supply Voltage</b>		2.7-5 V
<b>Consumption</b>		12 mA at 2.7V / 26 mA at 5V
<b>Noise Figure</b>		1.7-2.1 dB
<b>Cable / Connector</b>	5 m RG 58	5 m RG174 / any

# AM-GPS magnetic mount

## GPS Mobile Antenna

Should you be interested only in an external GPS antenna solution, Inmak has included in its GPS series of products this pure GPS magnetic antenna.

The GPS module is provided with 5-m-long cable of the RG174 type and can terminate on any connector.



## specifications

### MECHANICAL

<b>Weight</b>	40 g ± 5 g
<b>Material</b>	Polyamide
<b>Color</b>	Black
<b>Mounting</b>	Magnetic
<b>Operating Temp.</b>	-30 to +80°C

### ORDERING DESIGNATIONS

When ordering, please, specify connector type.

### ELECTRICAL

<b>Frequency Range</b>	1575.42 MHz
<b>SWR</b>	< 1.5
<b>Gain</b>	24 dBi at 2.7V 26 dBi at 5V
<b>Impedance</b>	50 Ω
<b>Max Power</b>	-
<b>Polarization</b>	RHCP
<b>Supply Voltage</b>	2.7-5 V
<b>Consumption</b>	12 mA at 2.7V 26 mA at 5V
<b>Noise Figure</b>	1.7-2.1 dB
<b>Cable &amp; Connector</b>	5 m RG174 / any

### GPS

# AM-GPS double adhesive tape

## GPS Mobile Antenna

Should you be interested only in an external GPS antenna solution, Inmak has included in its GPS series of products this pure GPS double adhesive tape antenna.

The GPS module is provided with 5-m-long cable of the RG174 type and can terminate on any connector.



### specifications

#### MECHANICAL

<b>Weight</b>	20 g ± 5 g
<b>Material</b>	Polyamide
<b>Color</b>	Black
<b>Mounting</b>	Double adhesive tape
<b>Operating Temp.</b>	-30 to +80°C

#### ORDERING DESIGNATIONS

When ordering, please, specify connector type.

#### ELECTRICAL

<b>Frequency Range</b>	1575.42 MHz
<b>SWR</b>	< 1.5
<b>Gain</b>	24 dBi at 2.7V 26 dBi at 5V
<b>Impedance</b>	50 Ω
<b>Max Power</b>	-
<b>Polarization</b>	RHCP
<b>Supply Voltage</b>	2.7-5 V
<b>Consumption</b>	12 mA at 2.7V 26 mA at 5V
<b>Noise Figure</b>	1.7-2.1 dB
<b>Cable &amp; Connector</b>	5 m RG174 / any

#### GPS

# AM-DVB-T/GPS magnetic mount

*Dual-band Magnetic Mobile Antenna - DVB-T+GPS*

This dual-band mobile antenna of Inmak's GPS series of antennas is supplied with a 0 dB gain radiator of PVC coated aluminum. Internally the product is coupled with an active GPS module. The magnetic mounting solution allows for flexibility when choosing an appropriate spot on the vehicle.

The two bands are provided with 5-m-long cables:

- GPS of the RG174 type and can terminate on any connector;
- DVB-T of the 75  $\Omega$  cable SIVA C27R type and can terminate with 9.5 mm TV plug connector.



## specifications

### MECHANICAL

<b>Weight</b>	320 g $\pm$ 20 g
<b>Material</b>	Radiator: PVC coated aluminum Base: steel and polyamide
<b>Color</b>	Black
<b>Mounting</b>	Magnetic
<b>Operating Temp.</b>	-30 to +80°C

### ORDERING DESIGNATIONS

When ordering, please, specify the connectors for both DVB-T and GPS bands.

ELECTRICAL	DVB-T	GPS
<b>Frequency Range</b>	470-860 MHz	1575.42 MHz
<b>SWR</b>	< 1.5	< 1.5
<b>Gain</b>	0 dB /2.15 dBi/	24 dBi at 2.7V / 26 dBi at 5V
<b>Impedance</b>	75 $\Omega$	50 $\Omega$
<b>Max Power</b>	150 W	-
<b>Polarization</b>	vertical	RHCP
<b>Supply Voltage</b>	-	2.7-5 V
<b>Consumption</b>	-	12 mA at 2.7V / 26 mA at 5V
<b>Noise Figure</b>	-	1.7-2.1 dB